

## Sonifier Cell Disruptor



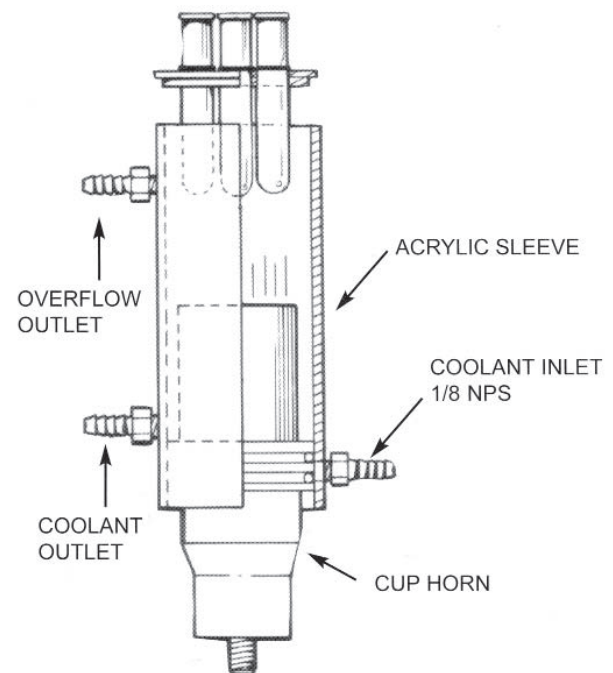
## 2" And 3" Diameter Cup Horn For Ultrasonic Cell Disruptors

*(Indirect Method Of Sonification For Open And Closed Vessels)*

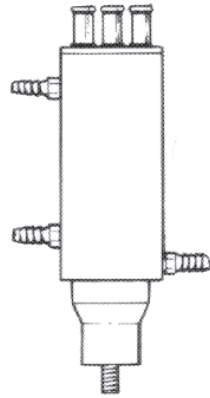
**DESCRIPTION:** The cup horn enables sonification of a sample without the horn coming in contact with the solution. It can simultaneously process a number of sealed vials or test tubes with identical parameters.

### TYPICAL APPLICATIONS

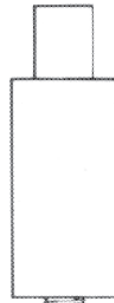
- Liposomes preparation
- Processes samples in complete isolation
- Precludes the possibility of any titanium migration
- Ideal for minute volume processing - down to 0.3 ml
- Processing of viruses, radioactive materials



# Sonifier Cell Disruptor



- ◀ **CUP HORN** processes multiple samples in sealed vessels  
**2" dia. Part No. 101-147-047**  
**3" dia. Part No. 101-147-048**



- ◀ **CONVERTER** receives electrical energy from power supply and converts to 20,000 Hz (20 kHz) mechanical vibration.



- POWER SUPPLY** converts standard 60 Hz line voltage to high frequency electrical power of 20,000 Hz. For use with Model 450 only.



## BRANSON

Branson Ultrasonics Corporation  
 41 Eagle Road, Danbury, CT 06813-1961  
 (203) 796-0400 • Fax: (203) 796-9838  
[www.bransonultrasonics.com](http://www.bransonultrasonics.com)  
 e-mail: [info@bransonultrasonics.com](mailto:info@bransonultrasonics.com)

2" and 3" Diameter Cup Horn © Branson Ultrasonics Corporation 2011  
 The Emerson logo is a trademark and service mark of Emerson Electric Co.  
 Revised and printed in the U.S.A. 9/2011