



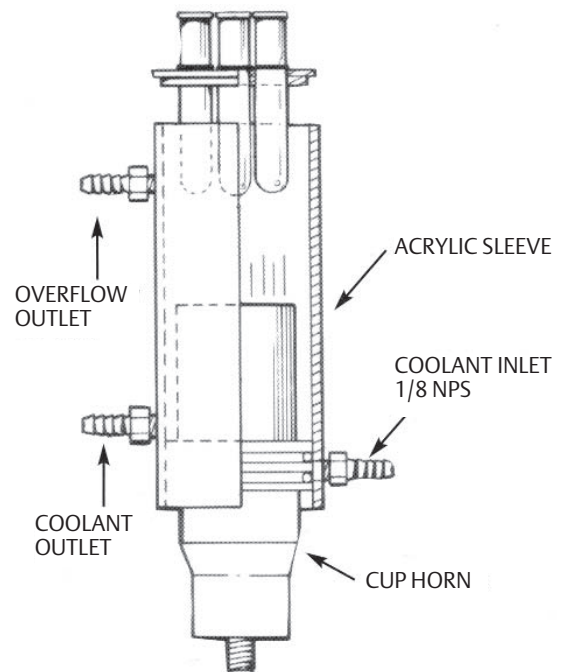
## 2" And 3" Diameter Cup Horn For Ultrasonic Cell Disruptors

*(Indirect Method Of Sonification For Open And Closed Vessels)*

**DESCRIPTION:** The cup horn enables sonification of a sample without the horn coming in contact with the solution. It can simultaneously process a number of sealed vials or test tubes with identical parameters.

### TYPICAL APPLICATIONS

- Liposomes preparation
- Processes samples in complete isolation
- Precludes the possibility of any titanium migration
- Ideal for minute volume processing - down to 0.3 mL
- Processing of viruses, radioactive materials



### Approximate overall ID.length:

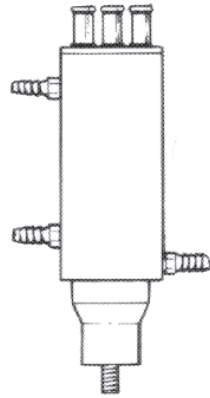
3" D. (80mm)

### Diameter:

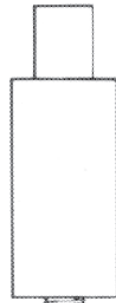
101-147-047 - 2" (51mm)

101-147-048 - 3" (80mm)

# Sonifier Cell Disruptor



- ◀ **CUP HORN** processes multiple samples in sealed vessels  
**2" dia. Part No. 101-147-047**  
**3" dia. Part No. 101-147-048**



- ◀ **CONVERTER** receives electrical energy from power supply and converts to 20,000 Hz (20 kHz) mechanical vibration.



- ◀ **POWER SUPPLY** converts standard 60 Hz line voltage to high frequency electrical power of 20,000 Hz.



Cup horns compatible with SFX250 and SFX550, Digital 250 and 450, Analog 250 and 450.

## BRANSON

Branson Ultrasonics Corporation  
 41 Eagle Road, Danbury, CT 06813-1961  
 (203) 796-0400 • Fax: (203) 796-9838  
 www.bransonultrasonics.com  
 e-mail: info@bransonultrasonics.com

2" and 3" Diameter Cup Horn © Branson Ultrasonics Corporation 2015  
 The Emerson logo is a trademark and service mark of Emerson Electric Co.  
 Revised and printed in the U.S.A. 11/2015